

ICON  FIRES  
Manual

# ICON FIRES

## Burner Range

The following information is provided to assist in understanding how each model within our collection can be incorporated into desired settings. It is a guide only, it is important that you read the detailed Model Specification of the model you are interested in before ordering, specifying, installing or operating the fire.

Model	Dimensions in mm Height x Width x Depth	Capacity	Material	Heats on Average	Minimum Room Size	Thermal output Net
MB 614	118 x 244 x 614	7 litres	Brushed stainless steel	Over 65 m <sup>2</sup>	50m <sup>3</sup>	24000BTU - 6.5 Kw/h
LB 914	118 x 244 x 914	10 litres	Brushed stainless steel	Over 110 m <sup>2</sup>	80m <sup>3</sup>	41000BTU - 9 Kw/h



LB 914



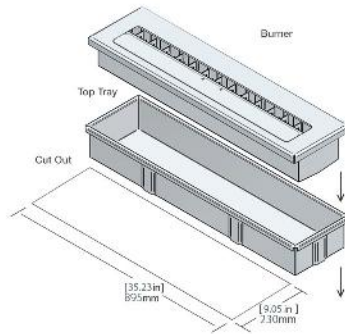
MB 614

## Accompanying accessories

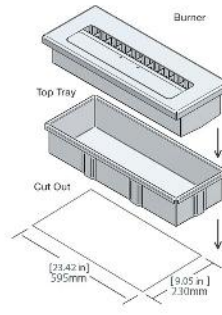
Model	Top Tray	Burner	Pump	Lighting Rod	Instruction Manual
614 MB	Yes	Yes	Yes	Yes	Yes
914 LB	Yes	Yes	Yes	Yes	Yes

# Installation

## Clearences



LB 914 Drawing

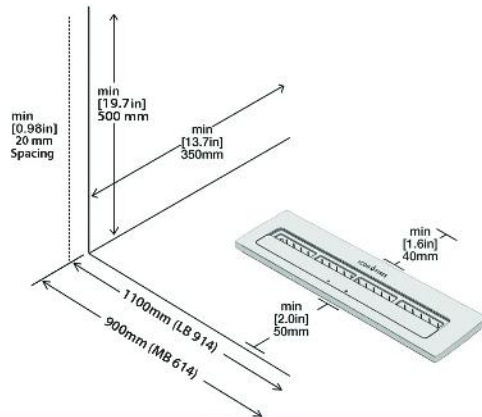


MB 614 Drawing

Model	Cut out dimensions including top tray Height x Width x Depth in mm.
MB 614	128 x 230 x 595
LB 914	128 x 230 x 895

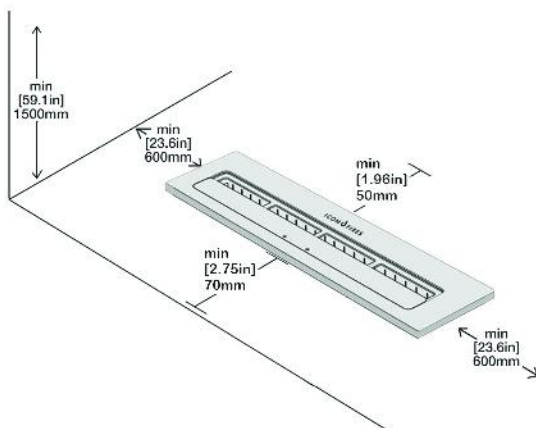
## WITHIN a Firebox setting

Model	Overhead Metric mm	Rear Metric mm	Front Metric mm	Side Metric mm
MB 614	500	40	50	100
LB 914	500	40	50	100



## WITHOUT a firebox setting

Model	Overhead Metric mm	Rear Metric mm	Front Metric mm
MB 614	1500	50	70
LB 914	1500	50	70



There are many different variations available for installing the Burner Range. In all cases, the Linear Burner must:

- be installed into non-combustible material ONLY;
- be fitted within a "Twin Skin", such as a Top Tray;
- all gas connections or pipelines near your new Burner installation must be disconnected and made safe by an appropriately qualified professional prior to installation;
- be installed into a fixed and secure position before filling, lighting and operating;
- be installed in a position that limits relocation requirements to eliminate the risk of accidents caused by fuel spillage – they are not designed to be relocated frequently;
- be installed into a level platform;
- not be installed directly beside or near wallpaper, laminate, veneer or any surface that has not been fire rated;
- be installed into a setting that has a square back – the incorporation of angled backs alters the aerodynamics of the flame environment and could lead to an unstable flame behaviour;
- a minimum of 1000mm radius to any combustible material;

# Operation Manual

Thank you for purchasing this ICON FIRES Burner.

ICON FIRES is very safety conscious. We have taken every care in designing, manufacturing and assembling your ICON FIRES linear burner to ensure it operates effectively, efficiently and safely. In return we ask that you exercise care when using this product and follow the instructions below.

Before using your ICON FIRES burner, please read all the information contained in this operation manual very carefully. It explains exactly what you need to do in order to use this product safely and effectively.

ICON FIRES Burner Range do not require any form of permanent fixture or fitting, such as a flue for ventilation, a permanent gas connection or any kind of fixed utility for fuel supply.

---

## IMPORTANT SAFEGUARDS

When using a fireplace, basic precautions should always be followed, including the following:

**Read all instructions before using this fireplace.**

### WARNING

- DO NOT OVERFUEL LINEAR BURNER'S INTENDED CAPACITY.
- USE ONLY THE FUEL FOR WHICH THE APPARATUS IS INTENDED.
- DO NOT TOUCH EXTERIOR OF LINEAR BURNER DURING AND AFTER BURNING.
- PARTS OF THIS LINEAR BURNER CAN REACH HIGH TEMPERATURES.
- DO NOT HAVE COMBUSTIBLE OBJECTS IN THE VICINITY OF LINEAR BURNER.
- USE THE LINEAR BURNER IN AREAS WITH GOOD VENTILATION.
- DO NOT COVER.
- THIS APPLIANCE HAS NOT BEEN TESTED WITH AN UNVENTED GAS LOG SET. TO REDUCE RISK OF FIRE OR INJURY, DO NOT INSTALL AN UNVENTED GAS LOG SET INTO THIS APPLIANCE.

---

### MAINTENANCE & PERIODIC SERVICE

1. Cleaning of unvented decorative appliance combustion surfaces,
2. Checking operation of external manual shutoff device.

**Make sure the fireplace has cooled completely before cleaning.**

To clean dust wipe with a dry cloth or sponge.

To clean stainless steel parts use alcohol or stainless steel cleaning products.

Make sure the sliding door from the linear burner slides correctly and fully.

### KEEP HANDY A CLASS B FIRE EXTINGUISHER:

Class B fire extinguishers are used to put out fires that are fueled by combustible liquids. Class B extinguishers quell the flames by expelling a dry chemical powder or foam with a nitrogen propellant. The specific chemical can vary depending on the maker or model.

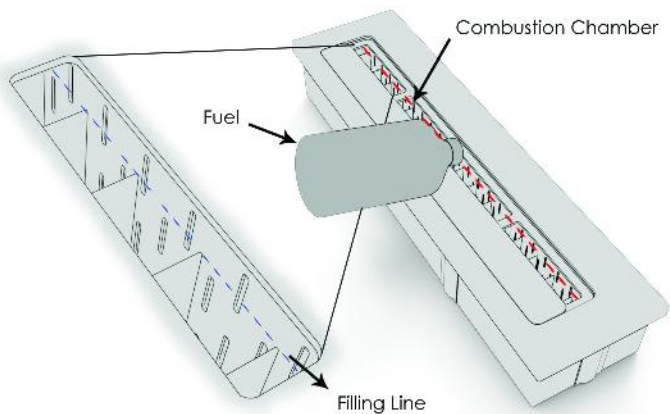
### USE CORRECT FUEL - COMMERCIAL NAMES:

**Australia, India, New Zealand, South Africa:** Methylated Spirits, **France:** Bio-Ethanol, **Germany:** Bio-Ethanol, **Holland:** Spiritus - Brand Spiritus, **Italy:** Alcool Denaturo - Spirito de Brucaire, **Japan:** Nen-ryo yoh, **Scandinavia:** T-Sprit - Rod Sprit - denaturoitu sprii - Sinol - Marinol, **Spain:** Alcohol Metilico - Alcohol de Quemar, **Switzerland:** Brennsprit, **Turkey:** Ispirto, **UK:** Meths, **USA & Canada:** Denatured Alcohol, Bio-Ethanol



## To Start The Fire Place

**1**



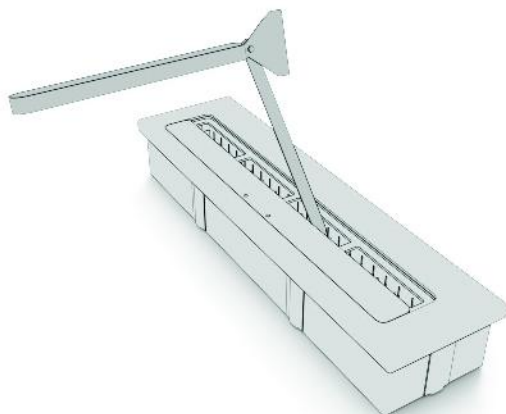
Fill the Linear Burner to the fill line indicated on the inside of the reservoir.

**DO NOT OVERFILL.**

Please wipe any spillage or excess fuel before proceeding to step 2

**2**

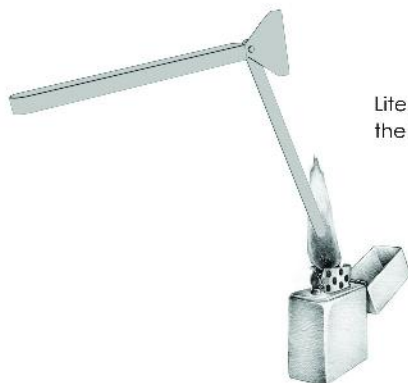
Introduce and dip the tip of the starter in the Combustion Chamber in the Fuel.



**3**

---

Remove starter and ignite the tip with a Lighter.



Lite the Rod away from  
the Linear Burner

**4**

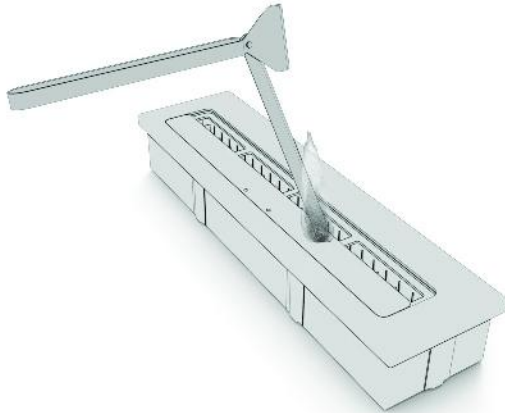
---

The starter tip will be lit up for a short period of time.



**5**

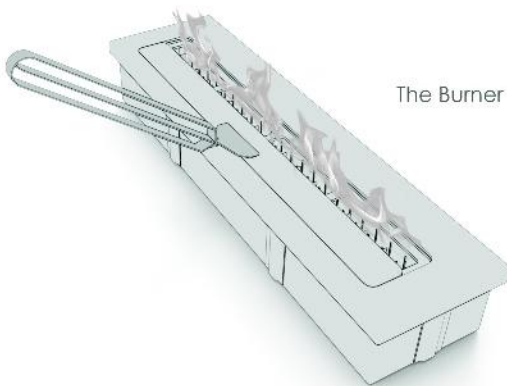
Dip the ignition Rod back into the Linear Burner to ignite fuel.



Once lit there will be residual flame on the lighting rod that must burn out before putting the rod away. If the flame on the rod dies before reaching the burning chamber, repeat the procedure until successful.

**6**

If the Burner does not stay lit please repeat these 5 steps.

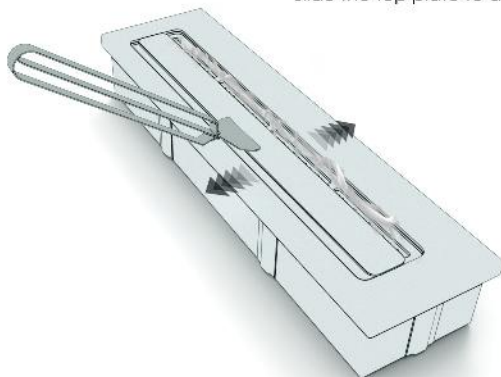


The Burner is now lit



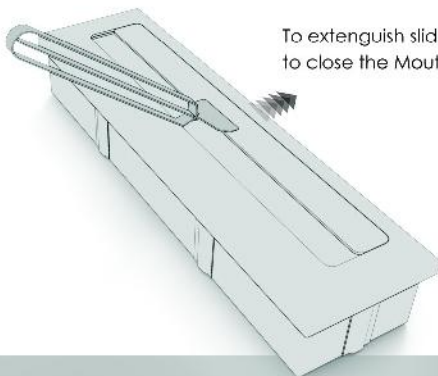
7

Slide the top plate to adjust the flame.



8

To extinguish slide plate to close the Mouth.



**CAUTION:**

To Refill wait until the burner is at the room temperature after the flame has turned off.



ICON  FIRES