

# Landscape 2014



## The most efficient panoramic fire

Our Landscape fireplaces feature a range of stylish finishes and a full width glass viewing area to maximise the brilliant flame pattern's impact. A stunning centrepiece for your room, the Landscape also creates a cosy environment. The Landscape looks great and impresses with its high energy efficiency star rating. With a full remote as standard, you have complete control over the room's temperature.



# Landscape

1000

1600

- 🔥 Conceived, designed, researched, developed and built in Australia
- 🔥 Double glazed space heater, 1000 heats up to 130m<sup>2</sup> and 1600 heats up to 150m<sup>2</sup>
- 🔥 Laser cut ribbon burner with or without ceramic pebbles
- 🔥 Balanced flue
- 🔥 New Application
- 🔥 Full remote control function
- 🔥 Up to 4.7 star efficiency
- 🔥 Natural gas or LPG

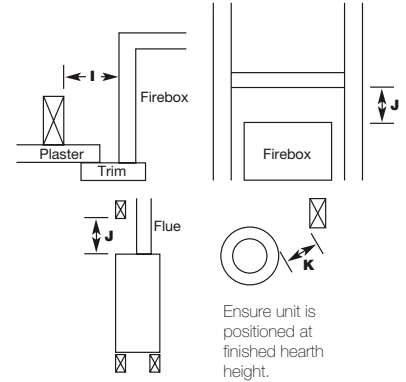
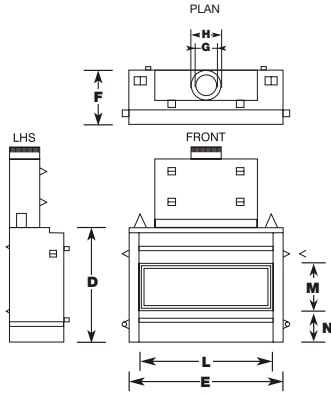
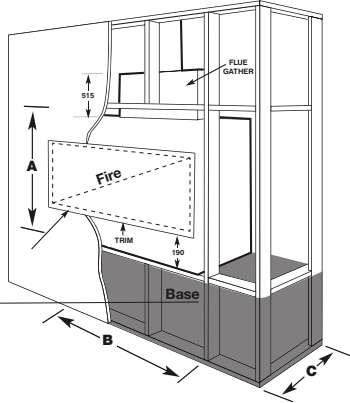


# SPECIFICATIONS & CONSTRUCTION

## NEW CONSTRUCTION

NOTE:  
Plaster to run  
beyond stud and  
behind trim

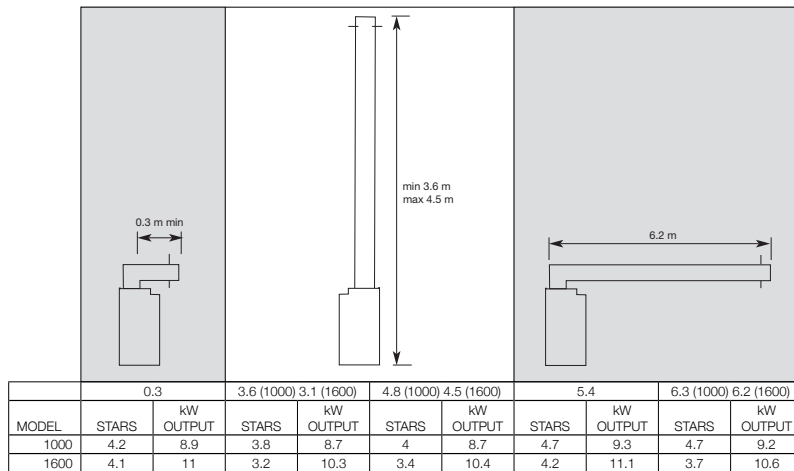
NOTE:  
Build base fit fire  
and flue, frame  
then plaster



	A	B	C	D	E	F	G	H	I	J	K	L	M	N	NG Mj/h	LP Mj/h	KW OUTPUT	STAR RATING* FROM TO	GPO REQ'D	VENTILATION
1000	960	1260	475	853	1160	415	100	180	50	100	50	1100	465	190	41	41	8.7	3.8* 4.7*	YES	NOT REQUIRED
1600	960	1860	475	853	1760	415	150	225	50	100	50	1700	465	190	51	51	10.3	3.2* 4.2*	YES	NOT REQUIRED

\*Depending on flue configuration

## EXPANDED STAR RATINGS



Warranty: Provided your Real Flame Gas Fire is installed by a licensed Gas Fitter in accordance with our Installation Instructions and operated in accordance with our Operating Manual, your Firebox is warranted for ten years and all other parts for one year from date of purchase. Refer to our website or our Installation and Operating Manual for a comprehensive warranty.

### Head Office/Factory/ Showroom

1340 Ferntree Gully Road  
Scoresby VIC 3179  
T 03 8706 2000

### Showrooms

300 Swan St, Richmond, VIC  
T 03 9428 4443

2a Gordon Ave, Geelong West, VIC  
T 03 5229 0844

9 Lonsdale St, Dandenong, VIC  
T 03 9702 4707

546 Pacific Hwy, Chatswood, NSW  
T 02 8905 0189

36 Kareena Rd, Miranda, NSW  
T 02 8513 6202

173-175 Magill Rd, Norwood, SA  
T 08 8132 0371

46 Douglas St, Milton, QLD  
T 07 3368 2011

47-53 McDonald St East, Osborne Park, WA  
T 08 9444 9900

88 Wollongong St, Fyshwick, ACT  
T 02 6280 552

### Available from



For detailed specifications visit [www.realflame.com.au](http://www.realflame.com.au)