

# Elegance 2014



**real flame**  
Leaders in  
Gas Fireplace  
Technology

## Timeless elegance for any style of home

Our Elegance decorative gas fireplace is designed for total flexibility. Available in five width options, it can be optioned to suit almost any interior finish from classic to ultra-modern. With simple lines and a stunning flame pattern, the Elegance will bring real charm and character to rooms of every size.



# Elegance

850

1000

1500

1800

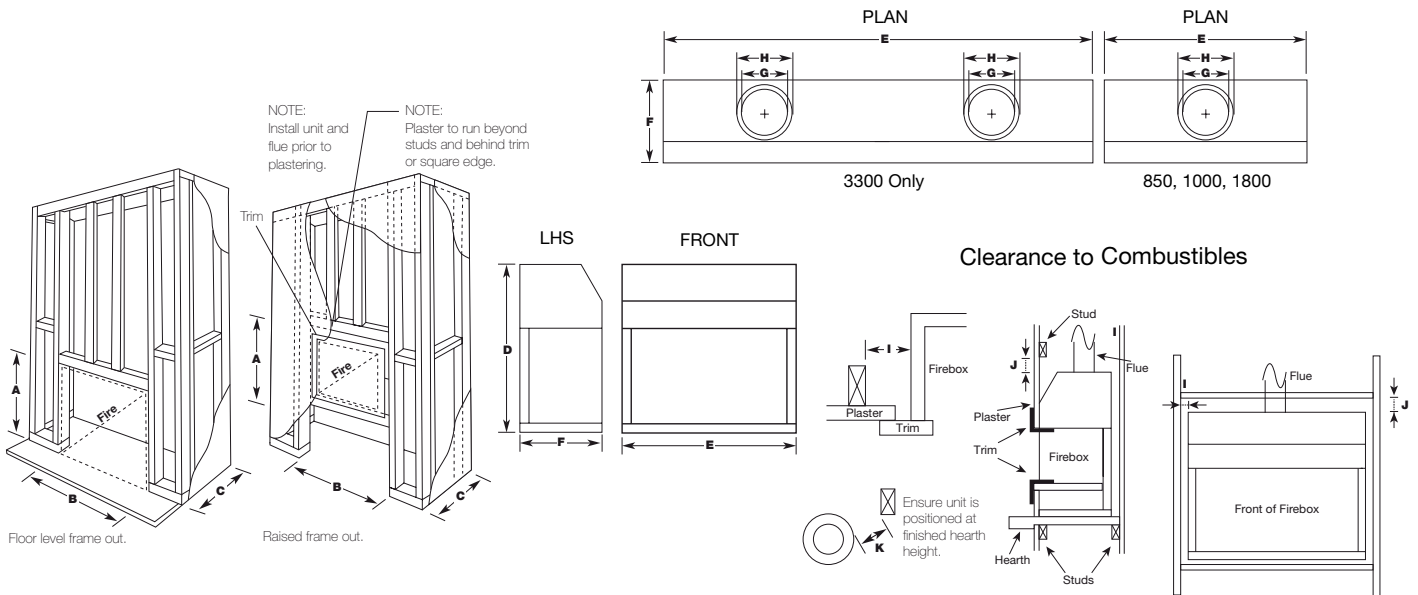
3300

- 🔥 Conceived, designed, researched, developed and built in Australia
- 🔥 Decorative
- 🔥 Conventional or Power flue
- 🔥 Pebbles or Coals and Logs

- 🔥 New application
- 🔥 Traditional or contemporary
- 🔥 Electronic ignition
- 🔥 Natural gas or LPG



# SPECIFICATIONS & CONSTRUCTION



	A	B	C	D	E	F	G	H	I	J	K	NG Mj/h	LP Mj/h	GPO REQ'D	VENTILATION
850	1020	1000	475	920	950	450	200	250	25	100	25	37	33	YES	32000mm <sup>2</sup>
1000	1020	1150	475	920	1100	450	250	300	25	100	25	39	34	YES	50000mm <sup>2</sup>
1500	1100	1650	475	1000	1600	450	300	350	25	100	25	55	48	YES	72000mm <sup>2</sup>
1800	1240	1950	475	1140	1900	450	300	350	25	100	25	60	48	YES	72000mm <sup>2</sup>
3300	1240	3450	475	1140	3400	450	300	350	25	100	25	120	96	YES	144000mm <sup>2</sup>

Warranty: Provided your Real Flame Gas Fire is installed by a licensed Gas Fitter in accordance with our Installation Instructions and operated in accordance with our Operating Manual, your Firebox is warranted for ten years and all other parts for one year from date of purchase. Refer to our website or our Installation and Operating Manual for a comprehensive warranty.

## Head Office/Factory/Showroom

1340 Ferntree Gully Road  
Scoresby VIC 3179  
T 03 8706 2000

## Showrooms

300 Swan St, Richmond, VIC  
T 03 9428 4443  
2a Gordon Ave, Geelong West, VIC  
T 03 5229 0844  
9 Lonsdale St, Dandenong, VIC  
T 03 9702 4707

546 Pacific Hwy, Chatswood, NSW  
T 02 8905 0189

36 Kareena Rd, Miranda, NSW  
T 02 8513 6202

173-175 Magill Rd, Norwood, SA  
T 08 8132 0371

46 Douglas St, Milton, QLD  
T 07 3368 2011

47-53 McDonald St East, Osborne Park, WA  
T 08 9444 9900

88 Wollongong St, Fyshwick, ACT  
T 02 6280 552

## Available from



For detailed specifications visit [www.realflame.com.au](http://www.realflame.com.au)