

# Double Vision 2014



**real flame**  
Leaders in  
Gas Fireplace  
Technology

## Light up two rooms with a see-through fireplace

Our Double Vision gas fireplace is designed for the modern home, with unique styling and simple lines.

This see through fireplace becomes the warm focus of two rooms at once and also has the flexibility of having one or two glass ends, creating an impressive island fire that can be seen from all four sides, bringing a warm ambience to more of your home.



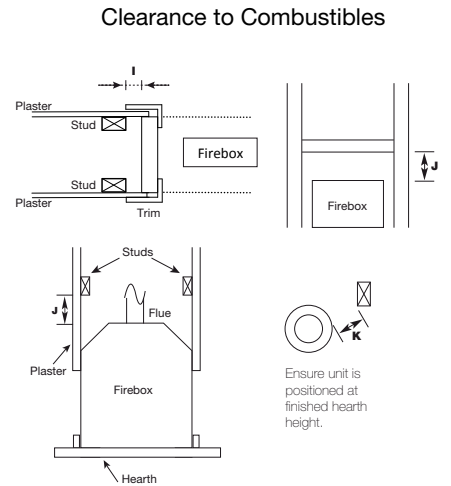
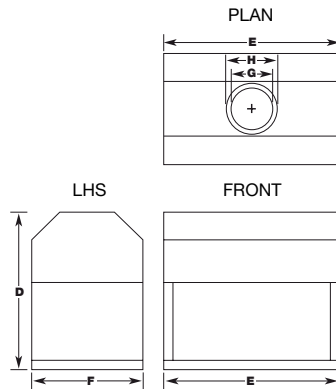
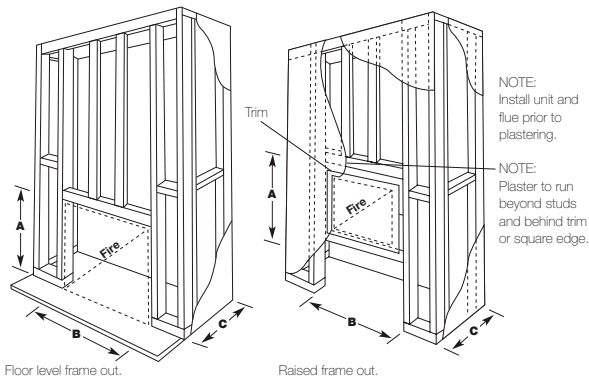
# Double Vision

850

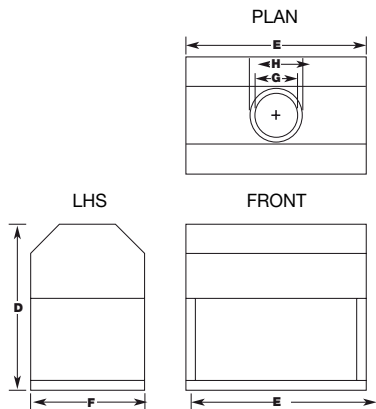
- 🔥 Conceived, designed, researched, developed and built in Australia
- 🔥 Decorative
- 🔥 Conventional or Power flue
- 🔥 Pebbles or Coals and Logs
- 🔥 New application
- 🔥 Traditional or contemporary
- 🔥 Glass back or sides optional
- 🔥 Millivolt ignition
- 🔥 Natural gas or LPG



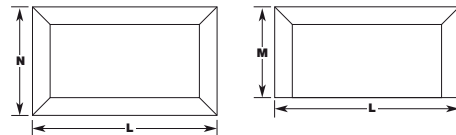
# SPECIFICATIONS & CONSTRUCTION



	A	B	C	D	E	F	G	H	I	J	K	NG Mj/h	LP Mj/h	GPO REQ'D	VENTILATION
850	950	1000	600	850	950	600	225	275	25	100	25	52	49	NO	40000mm <sup>2</sup>



## TRIMS



TRIMS	L	M	N
DOUBLE VISION	1043	513	613

Warranty: Provided your Real Flame Gas Fire is installed by a licensed Gas Fitter in accordance with our Installation Instructions and operated in accordance with our Operating Manual, your Firebox is warranted for ten years and all other parts for one year from date of purchase. Refer to our website or our Installation and Operating Manual for a comprehensive warranty.

### Head Office/Factory/ Showroom

1340 Ferntree Gully Road  
Scoresby VIC 3179  
T 03 8706 2000

### Showrooms

300 Swan St, Richmond, VIC  
T 03 9428 4443  
2a Gordon Ave, Geelong West, VIC  
T 03 5229 0844  
9 Lonsdale St, Dandenong, VIC  
T 03 9702 4707

546 Pacific Hwy, Chatswood, NSW  
T 02 8905 0189

36 Kareena Rd, Miranda, NSW  
T 02 8513 6202

173-175 Magill Rd, Norwood, SA  
T 08 8132 0371

46 Douglas St, Milton, QLD  
T 07 3368 2011

47-53 McDonald St East, Osborne Park, WA  
T 08 9444 9900

88 Wollongong St, Fyshwick, ACT  
T 02 6280 552

### Available from

